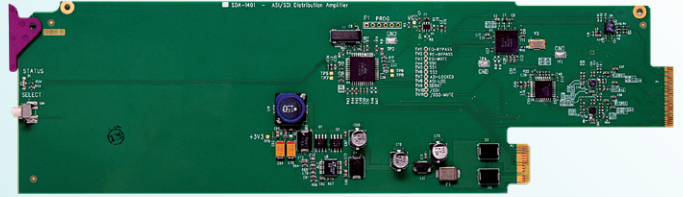


DATASHEET

SDA-1402 ASI Distribution Amplifier with EQ and Reclocking



Space-saving, modular platform for advanced signal processing.

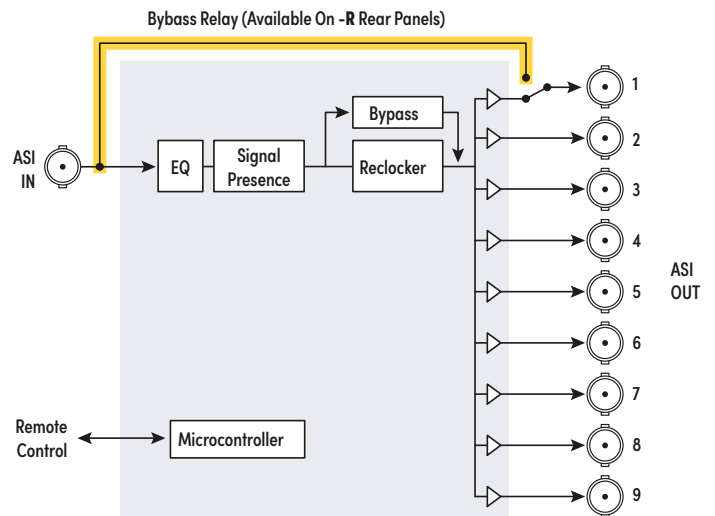
The SDA-1402 from Grass Valley® is an ASI distribution amplifier that provides up to nine reclocked outputs with automatic equalization for up to 350 meters (1,148 feet) of cable (Belden 1694A).

The amplifier offers signal presence detection, remote reporting and includes reclocking — providing an additional level of signal integrity in long cable length applications.

The SDA-1402 also supports other compressed formats such as SMPTE ST 310/DVB-SSI.

Key Features

- DVB-ASI input
- Up to 9 DVB-ASI outputs
- Automatic format detection and cable equalization
- Optional bypass relay protection
- DVB-ASI and SMPTE ST 310/DVB-SSI formats supported
- Bitrate of 270 Mb/s
- Status LED and alarm reporting



SDA-1402 Functional Block Diagram

Specifications

Input

Signal:

SMPTE ST 259-C (270 Mb/s)
EN 50083-9 DVB-ASI (270 Mb/s)
DVB-SSI/SMPTE ST 310

Cable length:

350m (1,148 ft.) at 270 Mb/s (Belden 1694A or equivalent)
275m (902 ft.) with bypass relay rears at 270 Mb/s (Belden 1694A or equivalent)

Return loss: >15 dB up to 270 MHz

Outputs

Signal (4/7/9):

SMPTE ST 259-C (270 Mb/s)
EN 50083-9 DVB-ASI (270 Mb/s)
DVB-SSI/SMPTE ST 310

Cable Length:

350m (1,148 ft.) at 270 Mb/s (Belden 1694A or equivalent)
275m (902 ft.) for OUT1 with bypass relay rears at 270 Mb/s (Belden 1694A or equivalent)

Return loss: >15 dB up to 270 MHz

Jitter: <0.2 UI p-p (wideband)

Processing Performance

Signal path: 10 bits

Latency: 10 ns

Electrical

Power: 5W

Ordering

Densité® 2 frame

SDA-1402
SDA-1402-SRP
SDA-1402-SRP-R
SDA-1402-DRP
SDA-1402-DRP-R

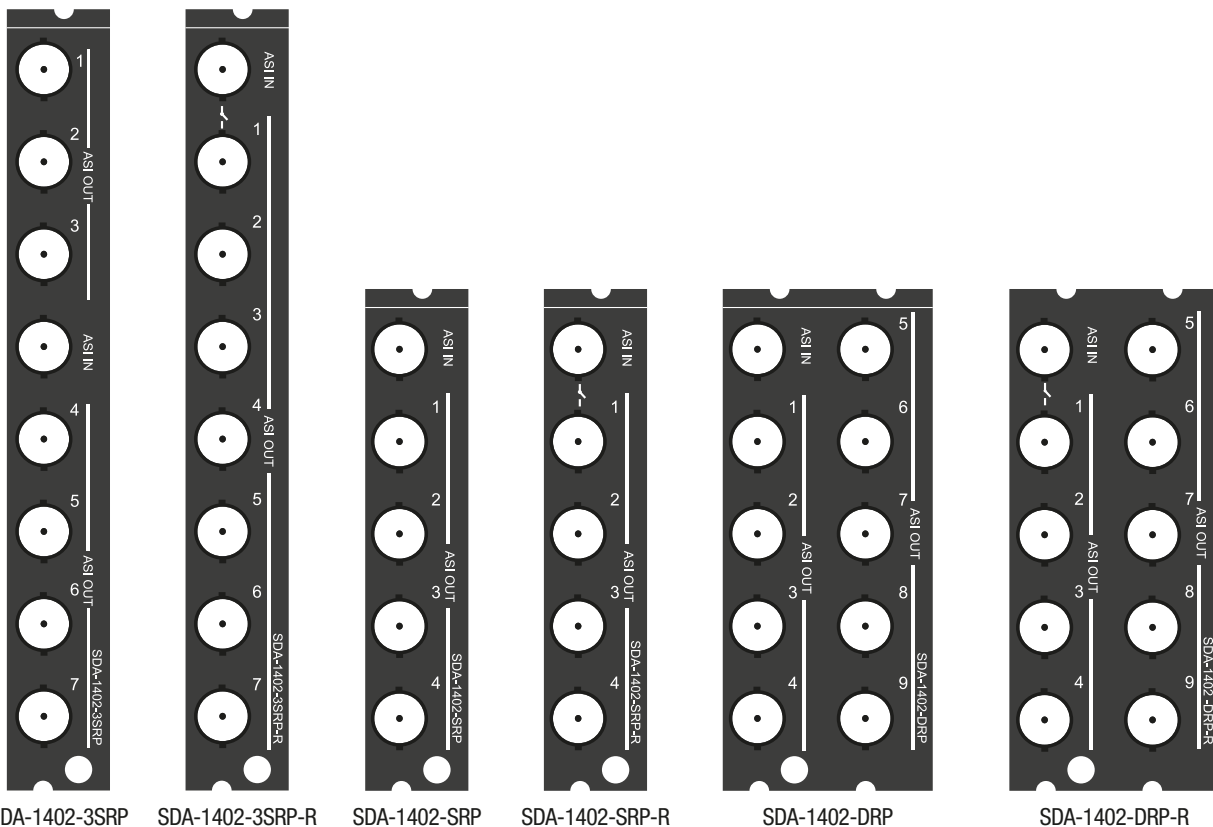
Densité 3 frame

SDA-1402-3RU
SDA-1402-DRP-3RU
SDA-1402-DRP-R-3RU
SDA-1402-3SRP
SDA-1402-3SRP-R
GV Orbit®, iControl™, iControl Solo

Description

ASI DA with EQ and reclocking
Single rear connector panel with 4 outs
Single rear connector panel with bypass protection relay with 4 outs
Double rear connector panel
Double rear connector panel with bypass protection relay
Single rear connector panel with 7 outs
Single rear connector panel with bypass protection relay with 7 outs

Remote control



This product may be protected by one or more patents. For further information, please visit: www.grassvalley.com/patents

DS-PUB-3-0409A-EN

Grass Valley®, GV®, GV Grass Valley®, and the Grass Valley logo are trademarks or registered trademarks of Grass Valley USA, LLC, or its affiliated companies in the United States and other jurisdictions. Grass Valley products listed above are trademarks or registered trademarks of Grass Valley USA, LLC or its affiliated companies, and other parties may also have trademark rights in other terms used herein. Copyright © 2023 Grass Valley Canada. All rights reserved. Specifications subject to change without notice.

www.grassvalley.com Join the Conversation at GrassValleyLive on [Facebook](#), [Twitter](#), [YouTube](#) and Grass Valley on [LinkedIn](#)