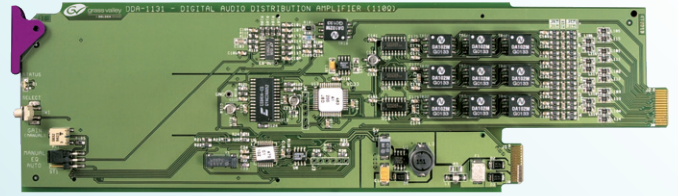


DATASHEET

DDA-1133 AES DA (110Ω)

Space-saving, modular platform for advanced signal processing.



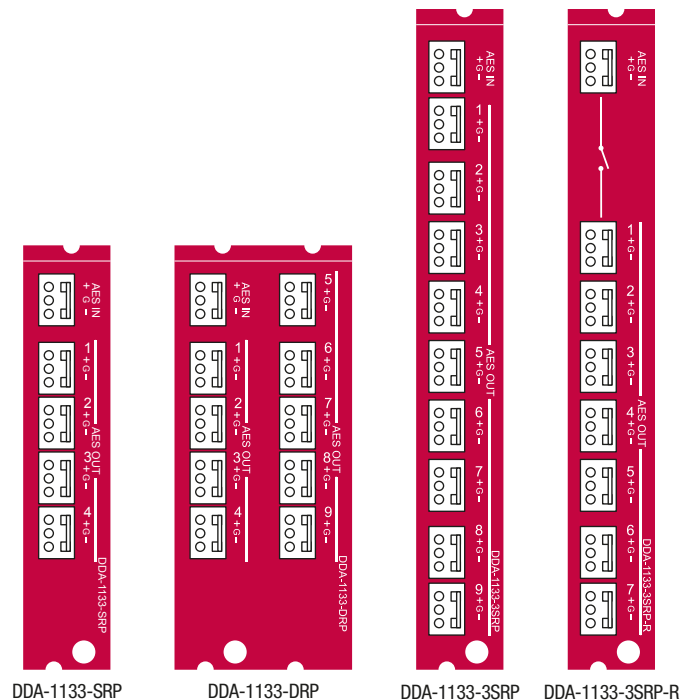
The DDA-1133 from Grass Valley® is a digital audio DA that supports AES3 110Ω digital audio standard, providing nine outputs and a relay input bypass rear panel option.

The input features clock regeneration for reduced jitter and signal restoration.

An audio input signal status is also available indicating the input signal presence and validity with remote reporting.

Key Features

- AES3 balanced audio input
- 9 AES3 balanced audio outputs
- Remote control of carrier quality
- Signal regeneration
- Silence detect with user adjustable delay and remote reporting
- Status LED and remote reporting
- Input bypass relay rear panel option



Specifications

Input

Signal: AES3 (ANSI S4.40)

Level: 0.1 to 7.0 Vp-p

Impedance: 110Ω balanced

Equalization: 0 to 300m (0 to 985 ft.) (DRAKA ref. KFB audio PBG110)

Output

Signal: AES3 (ANSI S4.40)

Level: 4 Vp-p nominal

Impedance: 110Ω balanced

Specific jitter: <0.005 UI p-p (700 Hz to 100 kHz)

Processing Performance

Sampling: 28 to 100 kHz

Processing delay:

– Reclocker ON: <60.7 μs @ 48 kHz (< 3 samples)

– Reclocker OFF: 75 ns typ.

Electrical

Power:

– Using 4 outputs: <1.5W

– Using 7 outputs: <2.0W

– Using 9 outputs: <2.0W

Ordering

Densité® 2 frame

DDA-1133

DDA-1133-SRP

DDA-1133-DRP

Densité 3 frame

DDA-1133-3RU

DDA-1133-3SRP

DDA-1133-3SRP-R

Description

Digital audio DA, 110 ohm

Single rear connector panel with 4 outs

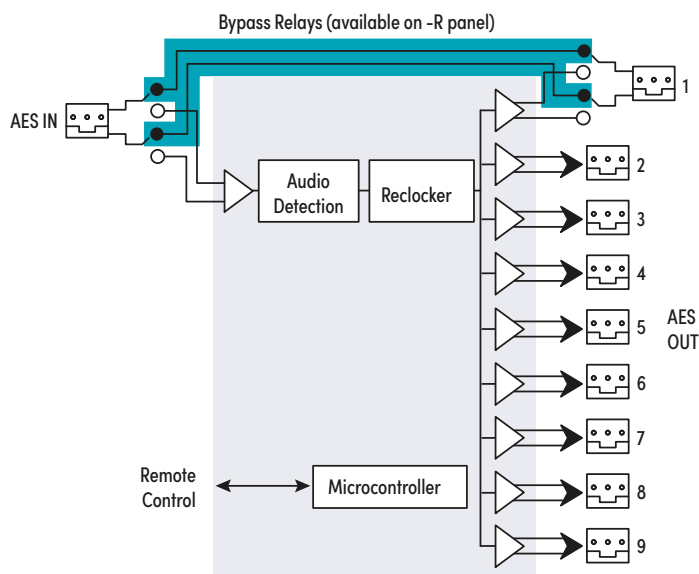
Double rear connector panel

Single rear connector panel with 9 outs

Single rear connector panel with 7 outs and bypass relays between IN and OUT1

Remote control

GV Orbit®, iControl™, iControl Solo



DDA-1133 Functional Block Diagram

This product may be protected by one or more patents. For further information, please visit: www.grassvalley.com/patents

DS-PUB-3-0357A-EN

Grass Valley®, GV® and the Grass Valley logo are trademarks or registered trademarks of Grass Valley USA, LLC, or its affiliated companies in the United States and other jurisdictions. Grass Valley products listed above are trademarks or registered trademarks of Grass Valley USA, LLC or its affiliated companies, and other parties may also have trademark rights in other terms used herein. Copyright © 2015, 2017, 2023 Grass Valley Canada. All rights reserved. Specifications subject to change without notice.

www.grassvalley.com Join the Conversation at GrassValleyLive on [Facebook](#), [Twitter](#), [YouTube](#) and Grass Valley on [LinkedIn](#)