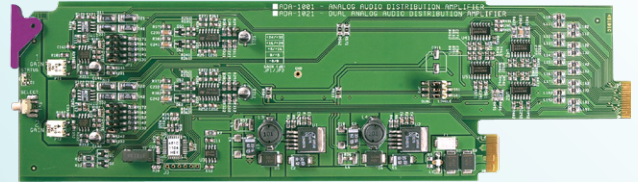


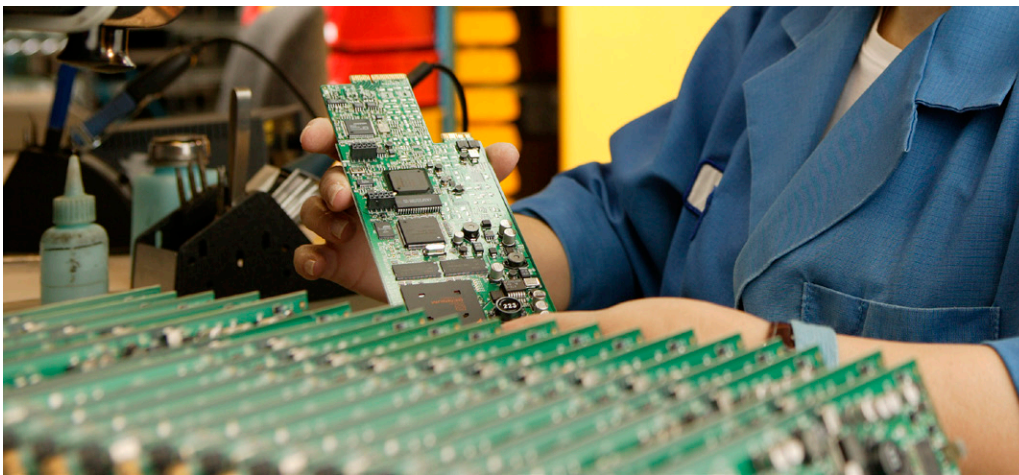
ADA-1023 Dual (Stereo) Analog Audio DA



Space-saving, modular platform for advanced signal processing.

The ADA-1023 from Grass Valley® is an analog audio DA that can be configured for single or dual channel (stereo) operation. In single channel mode, eight outputs can be driven while in dual channel mode, each channel has four outputs. A wide range of level gain control is possible and controlled from the card edge.

A signal status is also available indicating the input signal(s) presence.



Key Features

- Single or dual analog audio input(s)
- Single channel 8-output or dual channel (stereo) 4-output
- Balanced inputs and outputs
- Wide control of gain (-8 to +32 dB)
- Status LED and remote reporting of presence and overload

Specifications

Input

Signal (2): Balanced analog audio
Impedance: >20kΩ
Common mode rejection: >50 dB

Output

Signal (8): Balanced analog audio
Impedance: <50Ω

Processing Performance

Gain range: -8 to +32 dB
Max. level: +24 dBu
SNR: -115 dB (unweighted 20 Hz to 20 kHz)
Distortion: <0.01% (20 Hz to 20 kHz) at +24 dBu
Crosstalk: < -100 dB (20 kHz) at +24 dBu
Freq. response: ±0.05 dB (20 Hz to 20 kHz)
Overload threshold: +25 dBu
Signal absence: < -36 dBu for 0-255s

Electrical

Power: 7W

Ordering

Densité 2 frame

ADA-1023
 ADA-1023-DRP

Densité 3 frame

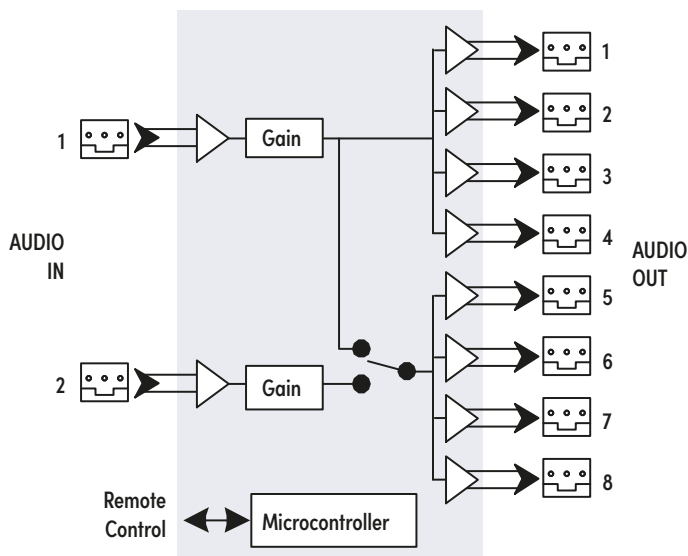
ADA-1023-3RU
 ADA-1023-3SRP

Description

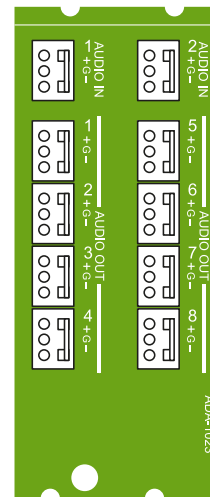
Single/dual analog audio DA
 Double rear connector panel
 Single rear connector panel

Remote Control

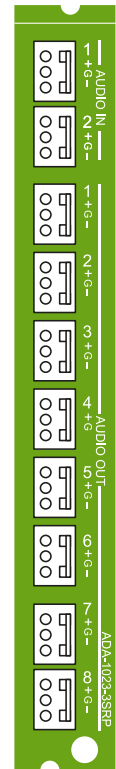
GV Orbit, iControl, iControl Solo



ADA-1023 Functional Block Diagram



ADA-1023-DRP



ADA-1023-3SRP

This product may be protected by one or more patents. For further information, please visit: www.grassvalley.com/patents

DS-PUB-3-0331A-EN

Grass Valley®, GV® and the Grass Valley logo are trademarks or registered trademarks of Grass Valley USA, LLC, or its affiliated companies in the United States and other jurisdictions. Grass Valley products listed above are trademarks or registered trademarks of Grass Valley USA, LLC or its affiliated companies, and other parties may also have trademark rights in other terms used herein. Copyright © 2014, 2023 Grass Valley Canada. All rights reserved. Specifications subject to change without notice.

www.grassvalley.com Join the Conversation at GrassValleyLive on [Facebook](#), [Twitter](#), [YouTube](#) and Grass Valley on [LinkedIn](#)